



BRITANNIA

FOR LIFE AND LIVING

We believe in design you can see,
craftsmanship you can feel and
reliability you can count on.

Redefine your standards in Range Cookers

Britannia Range Cookers are built for professional performance in the home. We pride ourselves on our British design, quality and first-class service pre and post purchase.


BRITANNIA
FOR LIFE AND LIVING



Contents

Britannia Life 06 - 07

Features 08 - 09

The Delphi collection 10 - 16

The Q Line collection 18 - 23

Colourange 25

Britannia hood collection 26 - 29

Splashbacks & accessories 30 - 33

Technical specifications 34 - 37



BRITANNIA *life*

THE NEXT LEVEL OF SERVICE

An exclusive club from Britannia for new Range Cooker owners.

Benefit from a complimentary first-class service experience including delivery, installation, one-to-one product demonstration and removal of your old appliance.

Britannia Life provides support, pre and post purchase from our UK based customer service centre and in-house specially-trained engineers.

By purchasing a Britannia Range Cooker, you have the option to become a Britannia Life member where you'll receive communication with bespoke recipes, offers and tips on getting the most out of your appliance.

All this plus we'll give you a free Range Cooker care pack to help keep your Britannia cooker looking it's best.



Discover more at britannialiving.co.uk

Selected retailers, terms and conditions apply. Britannia Life applies to Range Cookers purchased after 1st March 2019 only. Please check your retailer offers Britannia Life before placing your order.

Features available across our Range Cookers



5kW dual wok burners

From a gentle 0.48kW to a powerful 5kW. Fast, controllable, professional performance at your fingertips. Alternatively you can opt for the minimalist style of an energy efficient induction hob.



Meat probe

Delphi Range Cookers come with an inbuilt meat probe with sensors to recognise when the meat is cooked to perfection. Once the meat reaches optimum temperature the oven will automatically switch off to avoid any over cooking.



Soft close drawers and storage

Most modern kitchens come with silent, soft closing storage so why should your cooker be any different?



Telescopic runners

Serve dinner straight from the oven thanks to telescopic shelves that safely slide right out for extra convenience.



Quickstart

Britannia's unique "Quickstart" feature enables all 60cm main ovens to reach the ideal cooking temperature of 200°C in half the standard time of most ordinary ovens.



Colourange

We can match any colour sample, so whether it's a favourite dress or home accessory, Colourange offers a cooker that perfectly complements your life and your style.



Chef's top

The 5mm solid stainless steel Chef's top lets you cook everything from steak and salmon to vegetables and even a full English breakfast - all in a healthy, tasty and professional fashion.



Rotisserie

A superb way to cook pork, chicken, duck and other game birds. As the rotisserie uses the grill element there is minimal spitting, which helps maintain a clean oven cavity.



Guarantee

All Britannia appliances are guaranteed for two years, while our dedicated aftercare ensures you'll enjoy many years of cooking on your Britannia.

Nine function oven

Britannia's 90cm and 60cm ovens feature various functions, so you can use the most suitable cooking style for each recipe. By selecting different elements within the oven, you can ensure that the heat is directed to the required cooking area. Our 40cm and 30cm ovens also incorporate a rotisserie.*

-  Conventional cooking
-  Bottom element only
-  Top element only
-  Traditional grilling
-  Fan-assisted grilling
-  Fan-assisted oven
-  True fan oven
-  Pizza function
-  Quickstart & defrost

Four function oven

The Britannia four-function oven has the following functions, plus a rotisserie.

- 
- 
- 
- 

Note: The maximum weight for the rotisserie is 3.5kg.

* Rotisserie excluded: Delphi 120cm and Q Line 90cm single



The Delphi collection

Beautifully encapsulating Britannia quality and innovation, the Delphi collection of Range Cookers combines sleek, modern looks with professional performance for outstanding results. This flagship model's cutting-edge design, reliability and ease of use make it a solid addition to your kitchen.

Delphi 120cm



RC-12TG-DE-S (544440313)

Features

Cooking

- QUICKSTART fast preheat system (both ovens)
- Electric stainless steel griddle
- Meat probe (left oven)
- 9 function electric ovens
- Grill elements in both ovens
- Fully automatic programmer and minute minder (left oven)
- 5kW dual wok burner
- Thermostatically controlled fan to prevent fascia overheating
- Oven lights for good visibility
- Triple-glazed to prevent doors from overheating
- Flame failure devices to shut off gas supply

Energy rating

- A-rated

Supplied with

Left oven - Two wire shelves, one grill pan with trivet and handle

Right oven - Two wire shelves, one grill pan with trivet

Stainless steel cover - For electric griddle

Other features

- Heavy duty shelves
- Wok support
- Soft close storage drawer
- Height adjustable legs
- One hand ignition
- Telescopic runners (left oven)

Cleaning

- Removable oven door and inner glass panel
- Stay-clean liners for oven sides and back
- Removable enamelled roof trays
- Single piece pressed hob

Dimensions

Left oven internal

(W) 454mm x (H) 354mm x (D) 428mm
(Gross: 69 litres, usable: 52 litres)

Right oven internal

(W) 454mm x (H) 354mm x (D) 428mm
(Gross: 69 litres, usable: 52 litres)

Cooker options

Product codes

Gas hotplate - six brass burners EG. 1-5kW

Stainless steel	RC-12TG-DE-S (544440313)
Gloss black	RC-12TG-DE-K (544440332)
Gloss cream	RC-12TG-DE-CR (544440746)
Gloss red	RC-12TG-DE-RED (544440340)

Convertible to LPG (bottled gas) if required

Dedicated cooker circuit with a 32 amp miniature circuit breaker

Create a Range Cooker that is truly unique. Discover more at britannialiving.co.uk/colourange 

Delphi 110cm XG



RC-11XGG-DE-K (544440123)

Features

Cooking

- QUICKSTART fast preheat system (left oven)
- Meat probe (left oven)
- 9 function (left) electric oven & 4 function (right) electric oven
- Rotisserie for spit-roasting (right oven)
- Grill elements in both ovens
- Powerful adjustable grill in separate compartment
- Fully automatic programmer and minute minder (left oven)
- 2 x 5kW dual wok burners*
- Thermostatically controlled fan to prevent fascia overheating
- Oven lights for good visibility
- Triple-glazed to prevent doors from overheating
- Flame failure devices to shut off gas supply*

Energy rating

- A-rated

Supplied with

Left oven - Two wire shelves, one grill pan with trivet and handle

Right oven - One wire shelf, one grill pan with trivet, rotisserie

Grill compartment - Full sized roll-out grill pan with trivet

Other features

- Heavy duty shelves
- Wok support*
- Soft close storage drawer
- Levelling feet
- One hand ignition
- Telescopic runners (left oven + grill compartment)

Cleaning

- Removable oven door and inner glass panel
- Stay-clean liners for oven sides and back (left oven)
- Stay-clean liners for oven sides (right oven)
- Removable enamelled roof trays
- Single piece pressed hob

Dimensions

Left oven internal

(W) 454mm x (H) 354mm x (D) 428mm
(Gross: 69 litres, usable: 52 litres)

Right oven internal

(W) 354mm x (H) 354mm x (D) 428mm
(Gross: 54 litres, usable: 42 litres)

Cooker options

Product codes

Gas hotplate - six brass burners EG. 1-5kW

Stainless steel	RC-11XGG-DE-S (544440013)
Gloss black	RC-11XGG-DE-K (544440123)
Gloss cream	RC-11XGG-DE-CR (544440613)
Gloss red	RC-11XGG-DE-RED (544440324)

Convertible to LPG (bottled gas) if required

Dedicated cooker circuit with a 32 amp miniature circuit breaker

Induction - 5 zones EG. 1100-3000 watt

Stainless steel	RC-11XGI-DE-S (544440248)
Gloss black	RC-11XGI-DE-K (544440247)
Gloss cream	RC-11XGI-DE-CR (544440372)
Gloss red	RC-11XGI-DE-RED (544440370)

Dedicated cooker circuit with a 40 amp miniature circuit breaker

Create a Range Cooker that is truly unique. Discover more at britannialiving.co.uk/colourange 

Delphi 100cm XG



RC-10XGI-DE-RED (544440014)

Features

Cooking

- QUICKSTART fast preheat system (left oven)
- Meat probe (left oven)
- 9 function (left) electric oven
- 4 function (right) electric oven
- Rotisserie for spit-roasting (right oven)
- Grill elements in both ovens
- Powerful adjustable grill in separate compartment
- Fully automatic programmer and minute minder (left oven)
- 2 x 5kW dual wok burners*
- Thermostatically controlled fan to prevent fascia overheating
- Oven lights for good visibility
- Triple-glazed to prevent doors from overheating
- Flame failure devices to shut off gas supply*

Energy rating

- A-rated

Supplied with

- Left oven** - Two wire shelves, one grill pan with trivet and handle
Right oven - One wire shelf, one grill pan with trivet, rotisserie
Grill compartment - Full sized roll-out grill pan with trivet

Cooker options

Product codes

Gas hotplate - six brass burners EG. 1-5kW

- | | |
|-------------------|------------------------------------|
| ■ Stainless steel | RC-10XGG-DE-S (544440125) |
| ■ Gloss black | RC-10XGG-DE-K (544440232) |
| ■ Gloss cream | RC-10XGG-DE-CR (544440325) |
| ■ Gloss red | RC-10XGG-DE-RED (544440267) |

Convertible to LPG (bottled gas) if required
 Dedicated cooker circuit with a 32 amp miniature circuit breaker

Other features

- Heavy duty shelves
- Wok support*
- Soft close storage drawer
- Levelling feet
- One hand ignition
- Telescopic runners (left oven + grill compartment)

Cleaning

- Removable oven door and inner glass panel
- Stay-clean liners for oven sides and back (left oven)
- Stay-clean liners for oven sides (right oven)
- Removable enamelled roof trays
- Single piece pressed hob

Dimensions

Left oven internal
 (W) 454mm x (H) 354mm x (D) 428mm
 (Gross: 69 litres, usable: 52 litres)

Right oven internal
 (W) 354mm x (H) 354mm x (D) 428mm
 (Gross: 54 litres, usable: 42 litres)

Induction - 5 zones EG. 1100-3000 watt

- | | |
|-------------------|------------------------------------|
| ■ Stainless steel | RC-10XGI-DE-S (544440192) |
| ■ Gloss black | RC-10XGI-DE-K (544440203) |
| ■ Gloss cream | RC-10XGI-DE-CR (544440235) |
| ■ Gloss red | RC-10XGI-DE-RED (544440014) |

Dedicated cooker circuit with a 40 amp miniature circuit breaker

Create a Range Cooker that is truly unique. Discover more at britannialiving.co.uk/colourange

Delphi 100cm twin



RC-10TG-DE-S (544440112)

Features

Cooking

- QUICKSTART fast preheat system (left oven)
- Meat probe (left oven)
- 9 function (left) electric oven
- 4 function (right) electric oven
- Rotisserie for spit-roasting (right oven)
- Grill elements in both ovens
- Fully automatic programmer and minute minder (left oven)
- 2 x 5kW dual wok burners*
- Thermostatically controlled fan to prevent fascia overheating
- Oven lights for good visibility
- Triple-glazed to prevent doors from overheating
- Flame failure devices to shut off gas supply*

Energy rating

- A-rated

Supplied with

- Left oven** - Two wire shelves, one grill pan with trivet and handle
Right oven - One wire shelf, one grill pan with trivet, rotisserie

Cooker options

Product codes

Gas hotplate - six brass burners EG. 1-5kW

- | | |
|-------------------|-----------------------------------|
| ■ Stainless steel | RC-10TG-DE-S (544440112) |
| ■ Gloss black | RC-10TG-DE-K (544440086) |
| ■ Gloss cream | RC-10TG-DE-CR (544440175) |
| ■ Gloss red | RC-10TG-DE-RED (544440026) |

Convertible to LPG (bottled gas) if required
 Dedicated cooker circuit with a 20 amp miniature circuit breaker

Other features

- Heavy duty shelves
- Wok support*
- Soft close storage drawer
- Height adjustable legs
- One hand ignition
- Telescopic runners (left oven)

Cleaning

- Removable oven door and inner glass panel
- Stay-clean liners for oven sides and back (left oven)
- Stay-clean liners for oven sides (right oven)
- Removable enamelled roof trays
- Single piece pressed hob

Dimensions

Left oven internal
 (W) 454mm x (H) 354mm x (D) 428mm
 (Gross: 69 litres, usable: 52 litres)

Right oven internal
 (W) 354mm x (H) 354mm x (D) 428mm
 (Gross: 54 litres, usable: 42 litres)

Induction - 5 zones EG. 1100-3000 watt

- | | |
|-------------------|-----------------------------------|
| ■ Stainless steel | RC-10TI-DE-S (544440148) |
| ■ Gloss black | RC-10TI-DE-K (544440250) |
| ■ Gloss cream | RC-10TI-DE-CR (544440776) |
| ■ Gloss red | RC-10TI-DE-RED (544440236) |

Dedicated cooker circuit with a 32/40 amp miniature circuit breaker

Create a Range Cooker that is truly unique. Discover more at britannialiving.co.uk/colourange

Delphi 90cm twin



RC-9TI-DE-K (544440062)

Features

Cooking

- QUICKSTART fast preheat system (left oven)
- Meat probe (left oven)
- 9 function (left) electric oven
- 4 function (right) electric oven
- Rotisserie for spit-roasting (right oven)
- Grill elements in both ovens
- Fully automatic programmer and minute minder (left oven)
- 5kW dual wok burner*
- Thermostatically controlled fan to prevent fascia overheating
- Oven lights for good visibility
- Triple-glazed to prevent doors from overheating
- Flame failure devices to shut off gas supply*

Energy rating

- A-rated

Supplied with

- Left oven** - Two wire shelves, one grill pan with trivet and handle
Right oven - One wire shelf, one grill pan with trivet, rotisserie

Other features

- Heavy duty shelves
- Wok support*
- Soft close storage drawer
- Levelling feet
- One hand ignition
- Telescopic runners (left oven + grill compartment)

Cleaning

- Removable oven door and inner glass panel
- Stay-clean liners for oven sides and back (left oven)
- Stay-clean liners for oven sides (right oven)
- Removable enamelled roof trays
- Single piece pressed hob

Dimensions

Left oven internal
 (W) 454mm x (H) 354mm x (D) 428mm
 (Gross: 69 litres, usable: 52 litres)

Right oven internal
 (W) 254mm x (H) 354mm x (D) 428mm
 (Gross: 38 litres, usable: 28 litres)

Cooker options

Product codes

Gas hotplate - six brass burners EG. 1-5kW

- | | |
|-------------------|----------------------------------|
| ■ Stainless steel | RC-9TG-DE-S (544440156) |
| ■ Gloss black | RC-9TG-DE-K (544440246) |
| ■ Gloss cream | RC-9TG-DE-CR (544440316) |
| ■ Gloss red | RC-9TG-DE-RED (544440234) |

Induction - 5 zones EG. 1100-3000 watt

- | | |
|-------------------|----------------------------------|
| ■ Stainless steel | RC-9TI-DE-S (544440155) |
| ■ Gloss black | RC-9TI-DE-K (544440062) |
| ■ Gloss cream | RC-9TI-DE-CR (544440751) |
| ■ Gloss red | RC-9TI-DE-RED (544440748) |

Convertible to LPG (bottled gas) if required
 Dedicated cooker circuit with a 20 amp miniature circuit breaker

Dedicated cooker circuit with a 32/40 amp miniature circuit breaker

Create a Range Cooker that is truly unique. Discover more at britannialiving.co.uk/colourange **Colourange**





The Q Line collection

The simply uncompromising Q Line collection of Range Cookers with its clean lines and stainless steel or gloss black finish; bring contemporary style to the kitchen. Equipped with a nine function oven and wide range of cooking options, the Q Line gives you professional performance in the home.

Q Line 100cm XG



RC-10XGI-QL-K (544440079)

Features

Cooking

- QUICKSTART fast preheat system (left oven)
- 9 function (left) electric oven
- 4 function (right) electric oven
- Rotisserie for spit-roasting (right oven)
- Grill elements in both ovens
- Powerful adjustable grill in separate compartment
- Fully automatic programmer and minute minder (left oven)
- 2 x 5kW dual wok burners*
- Thermostatically controlled fan to prevent fascia overheating
- Oven lights for good visibility
- Triple-glazed to prevent doors from overheating
- Flame failure devices to shut off gas supply*

Energy rating

- A-rated

Supplied with

Left oven - Two wire shelves, one grill pan with trivet and handle

Right oven - One wire shelf, one grill pan with trivet, rotisserie

Grill compartment - Full sized roll-out grill pan with trivet

Other features

- Storage compartment
- Levelling feet
- One hand ignition
- Telescopic runners (grill compartment)

Cleaning

- Removable oven door and inner glass panel
- Removable enamelled roof trays
- Single piece pressed hob

Dimensions

Left oven internal
(W) 454mm x (H) 354mm x (D) 428mm
(Gross: 69 litres, usable: 52 litres)

Right oven internal
(W) 354mm x (H) 354mm x (D) 428mm
(Gross: 54 litres, usable: 42 litres)

Cooker options

Product codes

Gas hotplate - six aluminium burners EG. 1-5kW

- Stainless steel **RC-10XGG-QL-S (544440158)**
- Gloss black **RC-10XGG-QL-K (544440182)**

Convertible to LPG (bottled gas) if required
Dedicated cooker circuit with a 32 amp miniature circuit breaker

Induction - 5 zones EG. 1100-3000 watt

- Stainless steel **RC-10XGI-QL-S (544440196)**
- Gloss black **RC-10XGI-QL-K (544440079)**

Dedicated cooker circuit with a 40 amp miniature circuit breaker

Create a Range Cooker that is truly unique. Discover more at britannialiving.co.uk/colourange **Colourange**

Q Line 100cm twin



RC-10TG-QL-S (544440040)

Features

Cooking

- QUICKSTART fast preheat system (left oven)
- 9 function (left) electric oven
- 4 function (right) electric oven
- Rotisserie for spit-roasting (right oven)
- Grill elements in both ovens
- Fully automatic programmer and minute minder (left oven)
- 2 x 5kW dual wok burners*
- Thermostatically controlled fan to prevent fascia overheating
- Oven lights for good visibility
- Triple-glazed to prevent doors from overheating
- Flame failure devices to shut off gas supply*

Energy rating

- A-rated

Supplied with

Left oven - Two wire shelves, one grill pan with trivet and handle

Right oven - One wire shelf, one grill pan with trivet, rotisserie

Other features

- Storage compartment
- Height adjustable legs
- One hand ignition

Cleaning

- Removable oven door and inner glass panel
- Removable enamelled roof trays
- Single piece pressed hob

Dimensions

Left oven internal
(W) 454mm x (H) 354mm x (D) 428mm
(Gross: 69 litres, usable: 52 litres)

Right oven internal
(W) 354mm x (H) 354mm x (D) 428mm
(Gross: 54 litres, usable: 42 litres)

Cooker options

Product codes

Gas hotplate - six aluminium burners EG. 1-5kW

- Stainless steel **RC-10TG-QL-S (544440040)**
- Gloss black **RC-10TG-QL-K (544440110)**

Convertible to LPG (bottled gas) if required
Dedicated cooker circuit with a 20 amp miniature circuit breaker

Induction - 5 zones EG. 1100-3000 watt

- Stainless steel **RC-10TI-QL-S (544440169)**
- Gloss black **RC-10TI-QL-K (544440198)**

Dedicated cooker circuit with a 32/40 amp miniature circuit breaker

Create a Range Cooker that is truly unique. Discover more at britannialiving.co.uk/colourange **Colourange**

Q Line 90cm twin



RC-9TG-QL-K (544440047)

Features

Cooking

- QUICKSTART fast preheat system (left oven)
- 9 function (left) electric oven
- 4 function (right) electric oven
- Rotisserie for spit-roasting (right oven)
- Grill elements in both ovens
- Fully automatic programmer and minute minder (left oven)
- 5kW dual wok burner*
- Thermostatically controlled fan to prevent fascia overheating
- Oven lights for good visibility
- Triple-glazed to prevent door from overheating
- Flame failure devices to shut off gas supply*

Energy rating

- A-rated

Supplied with

Left oven - Two wire shelves, one grill pan with trivet and handle

Right oven - One wire shelf, one grill pan with trivet, rotisserie

Other features

- Storage compartment
- Height adjustable legs
- One hand ignition

Cleaning

- Removable oven door and inner glass panel
- Removable enamelled roof trays
- Single piece pressed hob

Dimensions

Left oven internal

(W) 454mm x (H) 354mm x (D) 428mm
(Gross: 69 litres, usable: 52 litres)

Right oven internal

(W) 254mm x (H) 354mm x (D) 428mm
(Gross: 38 litres, usable: 28 litres)

*Gas hob only

Q Line 90cm single



RC-9SG-QL-S (544440225)

Features

Cooking

- QUICKSTART fast preheat system
- 9 function electric oven
- Grill element in oven
- Fully automatic programmer and minute minder
- 5kW dual wok burner
- Thermostatically controlled fan to prevent fascia overheating
- Oven lights for good visibility
- Triple-glazed to prevent door from overheating
- Flame failure devices to shut off gas supply

Energy rating

- A-rated

Supplied with

Left oven - Two wire shelves, one grill pan with trivet and handle

Right oven - One wire shelf, one grill pan with trivet, rotisserie

Other features

- Storage compartment
- Height adjustable legs
- One hand ignition

Cleaning

- Removable oven door and inner glass panel
- Removable enamelled roof tray
- Single piece pressed hob

Dimensions

Oven internal

(W) 678mm x (H) 354mm x (D) 428mm
(Gross: 103 litres, usable: 80 litres)

Cooker options

Product codes

Gas hotplate - six aluminium burners EG. 1-5kW

Stainless steel **RC-9TG-QL-S (544440098)**

Gloss black **RC-9TG-QL-K (544440047)**

Convertible to LPG (bottled gas) if required


Dedicated cooker circuit with a 20 amp miniature circuit breaker

Induction - 5 zones EG. 1100-3000 watt

Stainless steel **RC-9TI-QL-S (544440200)**

Gloss black **RC-9TI-QL-K (544440286)**

Dedicated cooker circuit with a 32/40 amp miniature circuit breaker

Create a Range Cooker that is truly unique. Discover more at britannialiving.co.uk/colourange 

Cooker options

Product codes


Gas hotplate - six aluminium burners EG. 1-5kW

Stainless steel **RC-9SG-QL-S (544440225)**

Gloss black **RC-9SG-QL-K (544440778)**

Convertible to LPG (bottled gas) if required

Dedicated cooker circuit with a 16 amp miniature circuit breaker

Create a Range Cooker that is truly unique. Discover more at britannialiving.co.uk/colourange 



Be colour confident

Match the colour you've always wanted with
Britannia's **unique Colourange service**



Colourange


Take inspiration from the world around you and create a Range Cooker that is truly unique. We can match any colour sample, so whether it's a favourite dress or home accessory, Colourange offers a cooker that perfectly complements your life and your style.



Discover more at britannialiving.co.uk/colourange



Britannia hood collection

Complement your Britannia Range Cooker with our selection of wall mounted and canopy hoods. Stylish and built to perform. These hoods extract efficiently to keep the air fresh so you can focus on the cooking.

Wall mounted hoods

Latour & Latour 2tone



Designed for ducting out or recycling

- Quick release dishwasher proof grease filters
- 2 x halogen lamps 20 watts
- A convenient filter alarm that tells you when to clean the grease filters for ultimate efficiency
- Automatic switch-off can be set for 10 minutes

When recycling you will require

- Recycling filter kit - CT-KIT (90cm/100cm/110cm x 2, 120cm x 3) charcoal filters are supplied with kit
- Replacement charcoal filter - WO424-KF3 (90cm/100cm/110cm x 2, 120cm x 3)

When ducting out you will require

- Ducting outlet size 150mm (diameter)

Energy efficiency class

- A-rated

Speed	1	2	3
Air capacity cubic metres per hour*	244.1	511	755.3
Noise level - dbA**	45	62	71

Hood options

Product codes

■ 90cm Stainless steel	544440306
■ 100cm Stainless steel	544440078
■ 110cm Stainless steel	544440339
■ 120cm Stainless steel	544440139

Latour 2tone

■ 90cm Gloss black & Stainless steel	544440578
■ 100cm Gloss black & Stainless steel	544440354
■ 110cm Gloss black & Stainless steel	544440743
■ 120cm Gloss black & Stainless steel	544440759

Omaggio



Designed for ducting out or recycling

- Quick release dishwasher proof grease filter
- Convenient alarms that tell you when to clean the grease filters and when to replace the charcoal filters
- 5 x LED 15 watts

When recycling you will require

- Recycling charcoal filter - R216005 x 1

When ducting out you will require

- Ducting outlet size 150mm (diameter)

Energy efficiency class

- A-rated

Speed	1	2	3
Air capacity cubic metres per hour*	258	553	886
Noise level - dbA**	46	63	72

Hood options

Product codes

■ 90cm Gloss black & Stainless steel	544440129
■ 100cm Gloss black & Stainless steel	544440111

Canopy hoods

Intimo canopy



Designed for ducting out or recycling

- The intelligent ASC System, see page 37
- Size: 70 x 28.5cm
- Cut out size: 67.6 x 26.1cm
- 2 x halogen lamps 20 watts
- Suitable for use with 90cm and 100cm Range Cookers

When recycling you will require

- Recycling charcoal filters - HOOD-BE-AC-FILA

When ducting out you will require

- Ducting outlet size 150mm (diameter)

Energy efficiency class

- C-rated

Speed	1	2	3
Air capacity cubic metres per hour*	258	600	700
Noise level - dbA**	50	67	70

Hood options

Product codes

■ 70cm Stainless steel	544440004
------------------------	------------------

Latour canopy (single motor)



Designed for ducting out or recycling

- Quick release dishwasher proof grease filters
- 2 x halogen lamps 20 watts (115cm version has 3)
- A convenient filter alarm that tells you when to clean the grease filters for ultimate efficiency
- Automatic switch-off can be set for 10 minutes

When recycling you will require

- Recycling filter kit - CT-KIT-C x 2, charcoal filters are supplied with kit
- Replacement charcoal filter - WO423-K4 x 2

When ducting out you will require

- Ducting outlet size 150mm (diameter)

Energy efficiency class

- A-rated

Speed	1	2	3
Air capacity cubic metres per hour*	237.5	507.4	771.5
Noise level - dbA**	44	62	71

Hood options

Product codes

■ 95cm Stainless steel	544440268
■ 115cm Stainless steel	544440137



Splashbacks & accessories

Choose from a variety of Britannia professional quality Range Cooker accessories, splashbacks and cleaning solutions. Optimising the performance of your appliance.

Accessories & splashbacks



Chef's top

Britannia offers a healthy cooking option with the professional Chef's top centred around the teppanyaki style of cooking. This fantastic feature not only helps the domestic gourmet revolutionise the entire cooking experience of creating a stir-fry, it is also fantastic for cooking breakfasts and a wealth of main courses.

The Chef's top is available for all Britannia Range Cookers. The 120cm Delphi Range Cooker includes an electric stainless steel griddle as standard, which can be used in the same way as the Chef's top.

Style	Order code
Chef's Top	BAC-CHEFTOP (544440719)



Griddle

This solid cast iron griddle simply sits on top of a standard pan support. It is ideal for griddling all types of food that would be traditionally grilled.

- Half of the griddle has a flat cooking surface and is ideal for cooking eggs, drop scones, Welsh cakes, etc.
- The other half of the griddle is ribbed and is ideally suited for searing meats.

Style	Order code
Cast iron griddle - half flat/half ribbed	BAC-GRID (544440725)



Telescopic runners

Delphi models include one pair of telescopic runners as standard, which can be used at any shelf level. Additional pairs can be purchased which are suitable for use in all Britannia ovens. Even when fully extended, the telescopic system is safe, providing a convenient way of serving directly from the grill pan or oven tray.

Telescopic runners are suitable for use in conjunction with the shelves and oven trays supplied as standard.

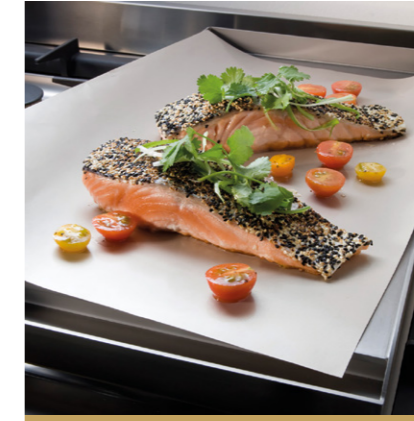
Style	Order code
Telescopic runners	BAC-KGS-UN (544440710)



Cast iron wok support

This useful accessory is simply placed over the pan support. The cast iron wok support can be used with round-bottomed woks and round-bottomed balti pans. In general, flat-bottomed woks will be stable on the pan support without this accessory.

Item	Order code
Cast iron wok support	BAC-WOK (544440707)



Bake-O-Glide™ Chef's top liner

This liner has been exclusively designed by Bake-O-Glide™ for the Britannia Chef's top. The non-slip backing and easy to clean surface make cooking a pleasure, and help to keep your Chef's top looking pristine.

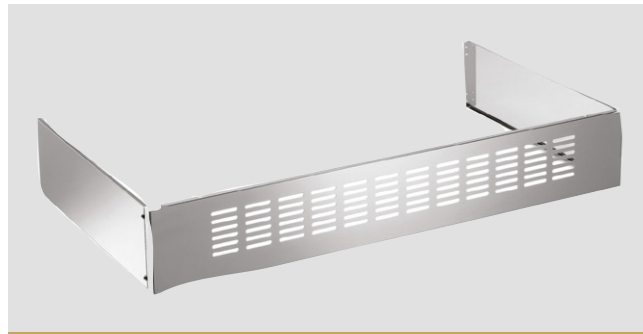
Item	Order code
Bake-O-Glide™ Chef's top liner	BAC-BAKE-C (544440709)



Stay-clean oven liners

Stay-clean liners help keep your oven like new. Simply heat the oven to maximum temperature for 45 minutes from time to time.

Size	Order code
40cm	BAC-SCLBRIT40 (544440726)
60cm	BAC-SCLBRIT60 (544440727)
90cm	BAC-SCLBRIT90 (544440728)



Plinth kit

These three-sided kits (available in sizes from 90-120cm cooker widths) simply slide beneath your cooker to conceal the adjustable legs. Please note these cannot be used with the extra high legs and are not suitable for XG models.

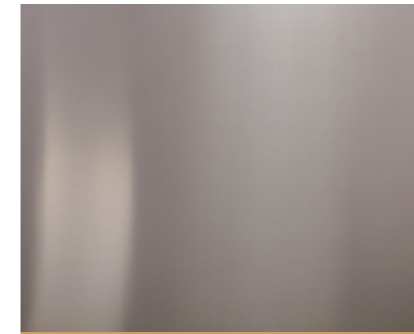
Size	Order code
90cm Stainless steel	(544446240)
100cm Stainless steel	(544446239)
120cm Stainless steel	(544446238)



Extra high legs

All Britannia cookers (except for XG models) are supplied with four adjustable legs making the cooker fit with the majority of kitchen furniture heights. Extra high adjustable legs are available as an optional extra. Please note, plinth kits are not suitable for use with these extra high legs.

Item	Order code
Extra high legs	SP-BZ414058 (544446249)



Stainless steel splashback

Material Type: **Metal**
Steel Type: **Stainless**

Style	Order code
90cm	444449524
100cm	444449527
110cm	444449530
120cm	544446055



Black glass splashback

Material Type: **Glass**
Glass Type: **Toughened glass**

Style	Order code
90cm	444442908
100cm	444442909
110cm	444442910



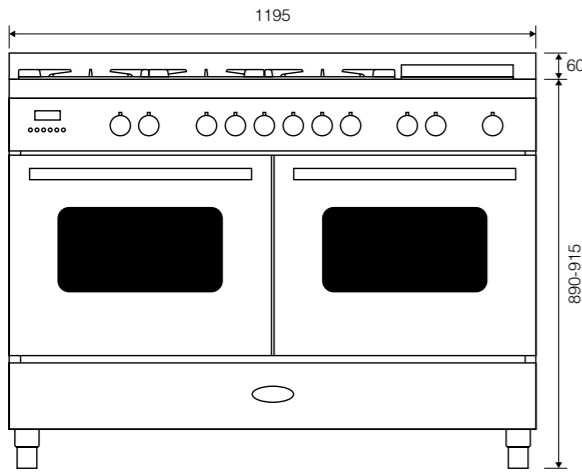
Cleaning*

Item	Order code
Hob cleaner	082651753
Stainless steel cleaner	082651754
Oven cleaner	82648060
Multi purpose kitchen cleaner	82648061
Fridge cleaner	82648062
Microwave cleaner	82648063
Freezer de-icer	82648064
Kettle descaler	82648065
Washing machine descaler	82648066
Dishwasher descaler	82648067

*These products need to be ordered via our service department and may be varied.

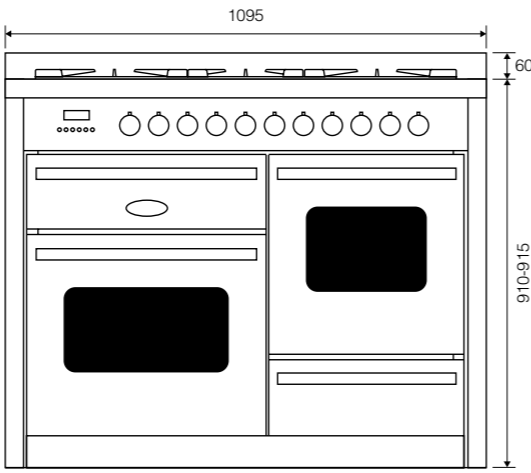
Range Cooker

120cm



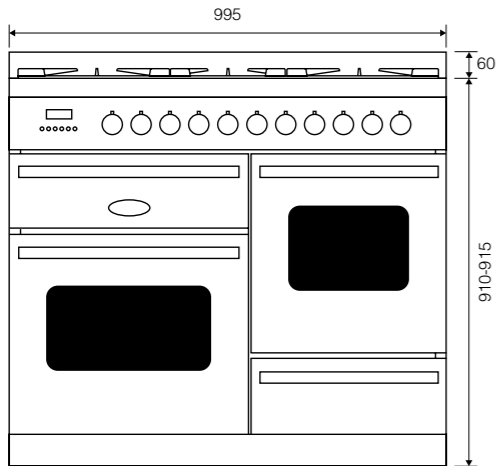
Front 60/60 split ovens

110cm XG*



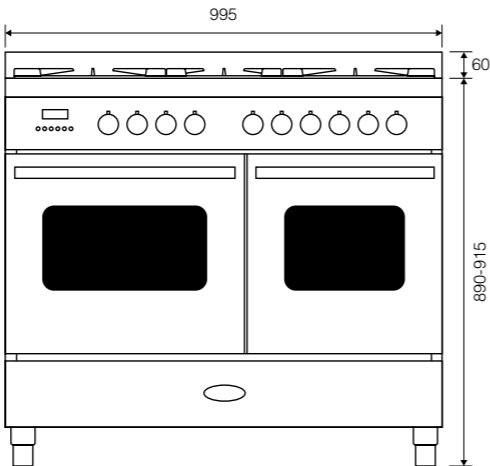
Front 60/40 split ovens

100cm XG*



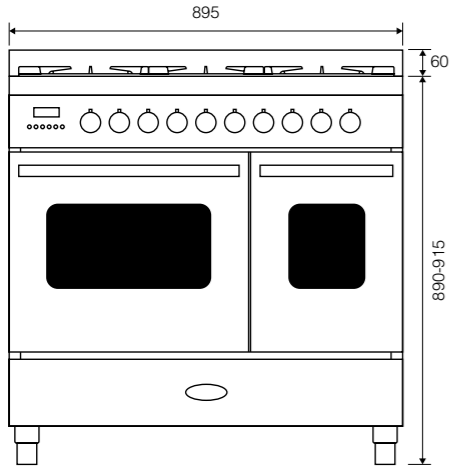
Front 60/40 split ovens

100cm



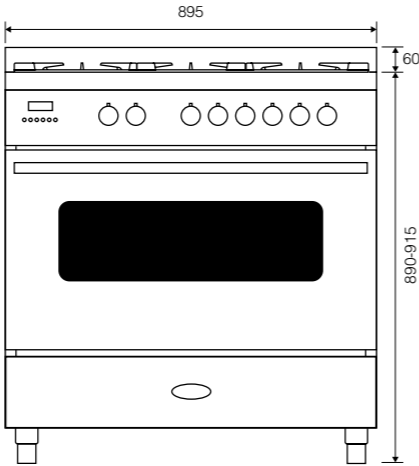
Front 60/40 twin ovens

90cm



Front 60/30 twin ovens

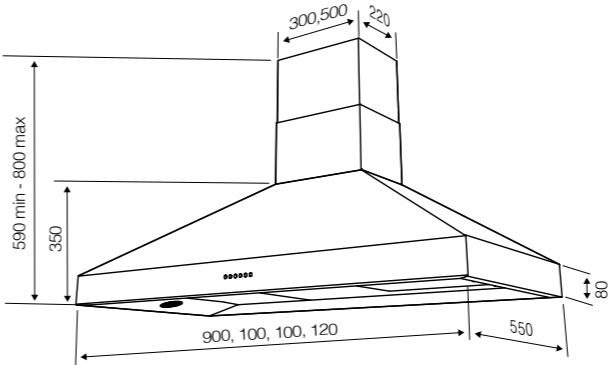
90cm



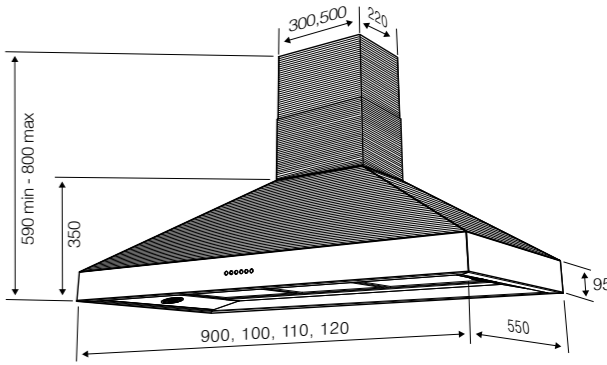
Front single oven

Hoods

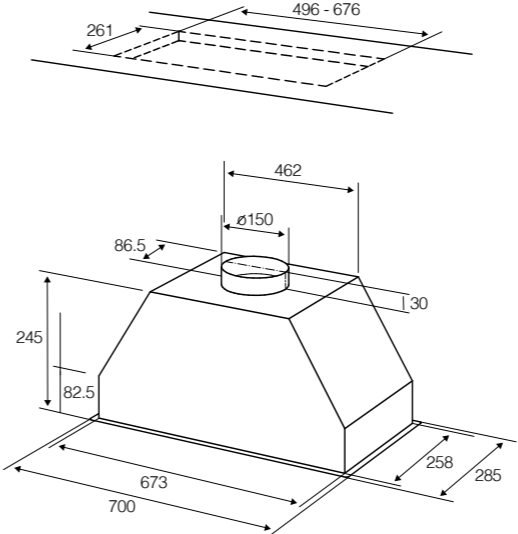
Latour



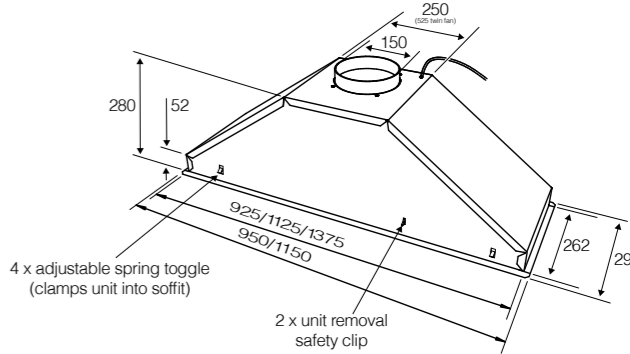
Latour (2tone)



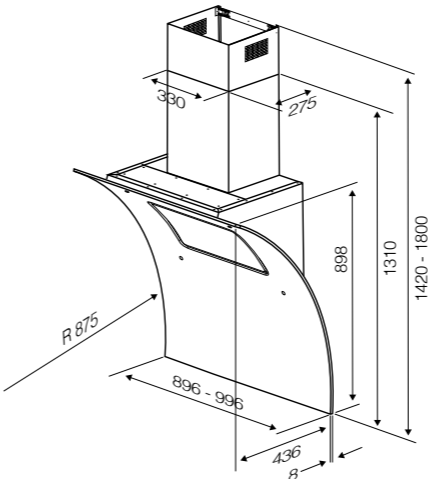
Intimo



Latour (Single Motor)



Omaggio



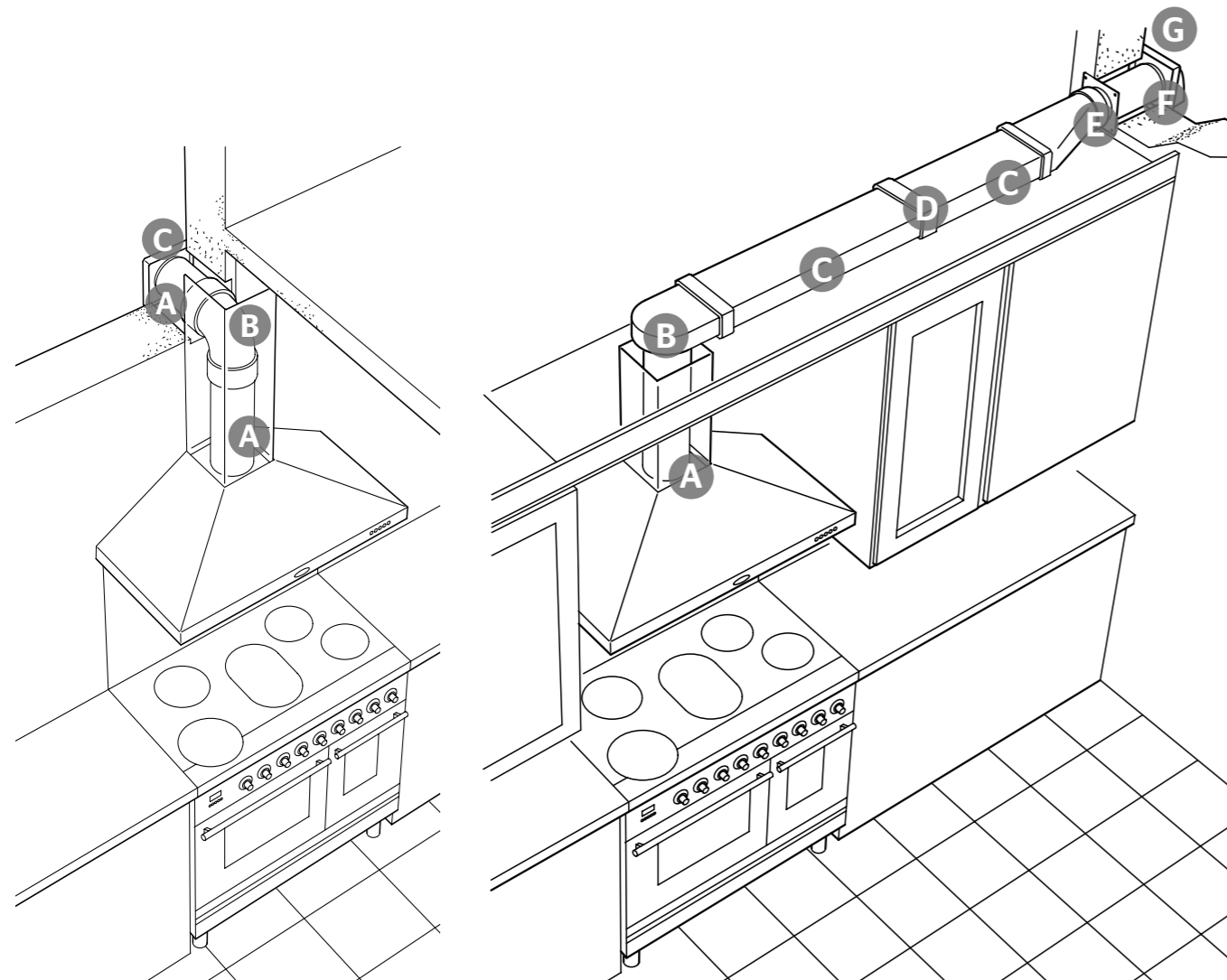
Hood ducting information

Hood fitted on an outside wall using 150mm diameter ducting

1 metre ducting kit - Duct 2609 (544440633) comprises of:

- A One metre pipe - Duct/1100-6
- B 90° bend - Duct/690
- C Wall vent - Duct/6900

Always try to position your cooker and hood on an outside wall. This makes for the easiest installation. It also minimises the ducting run length and maximises the hood's performance.

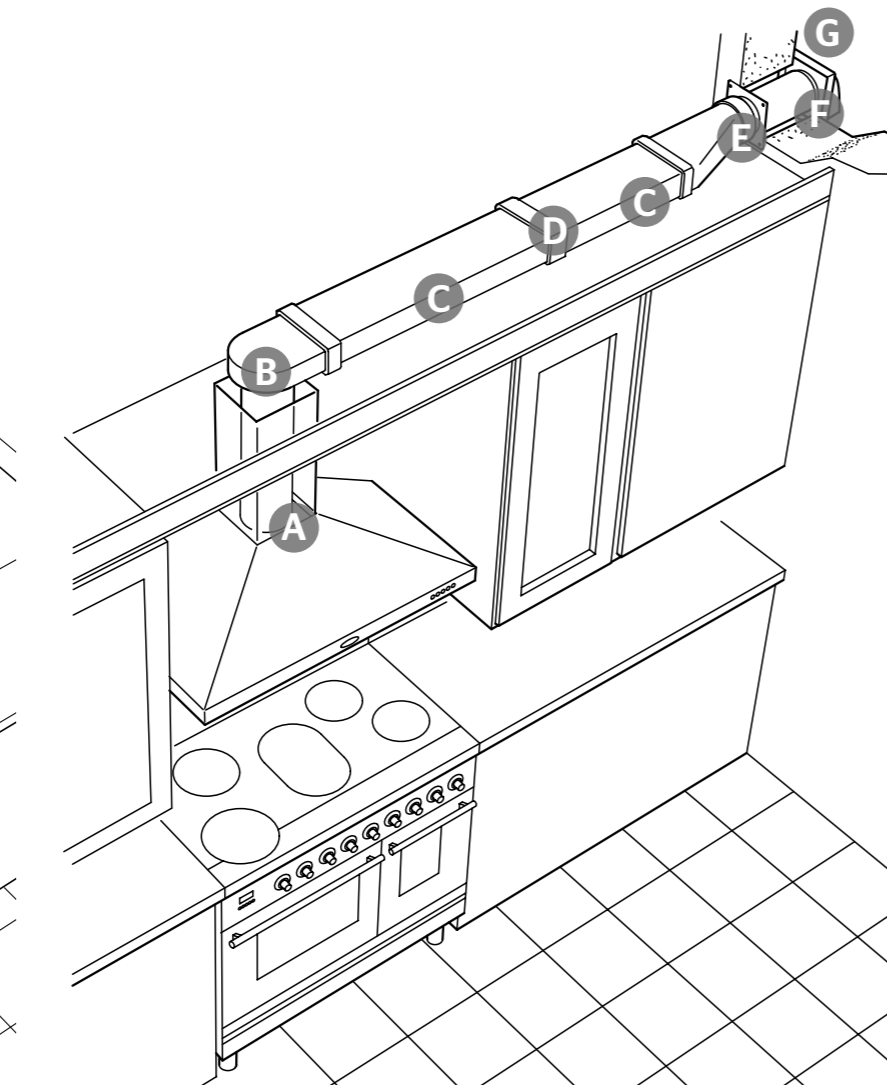


Hood fitted on an inside wall to run across top of units

'Mega Duct' kit - Duct 2652B (544440675) comprises of:

- A 150mm pipe (cut to size)
- B Adjustable spigot 90° round* to rectangular bend
- C 1 metre flat of channel (can be cut to size)
- D Flat channel connector
- E Rectangular to round adaptor
- F Wall plate
- G Outside wall vent

*The 90° bend should be fitted outside and above the flue of the chimney board. 'Mega Duct' can be boxed in to match kitchen and decorative flue sections.



Hood fitted on an inside wall using 150mm diameter ducting

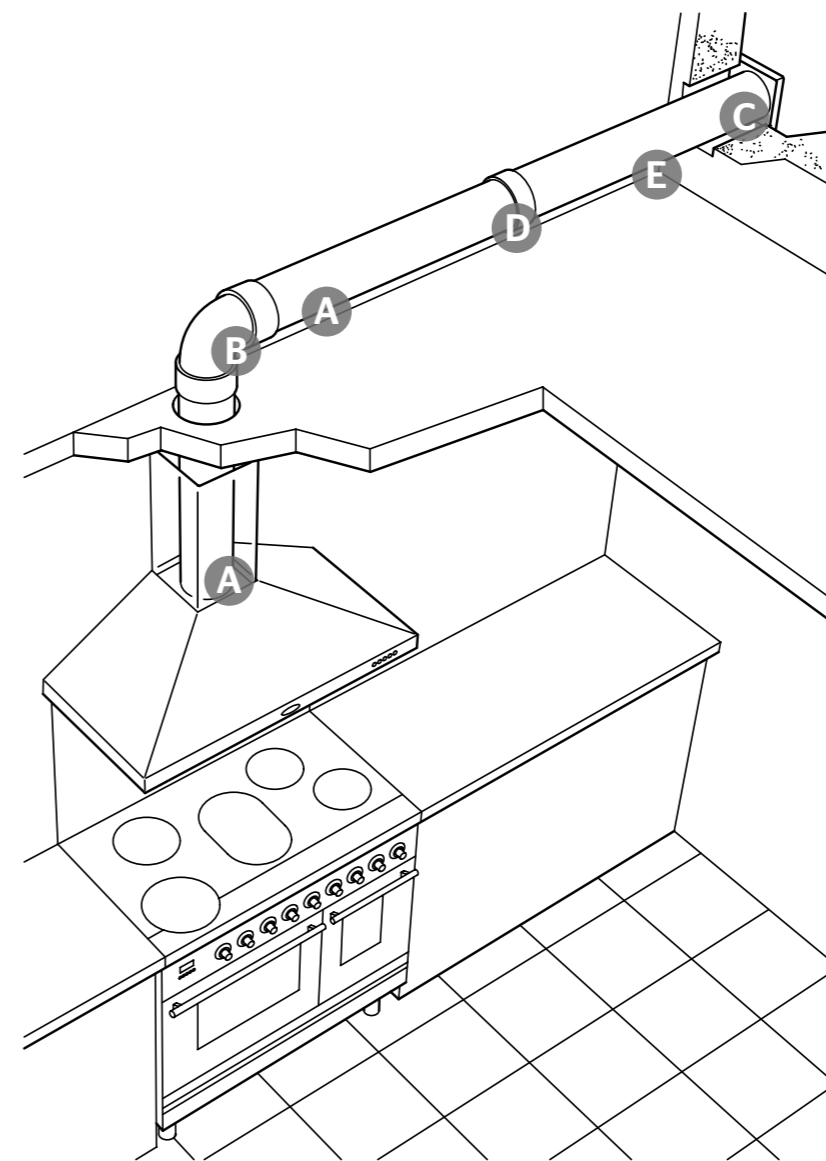
1 metre ducting kit - Duct 2609 (544440633) comprises of:

- A One metre pipe - Duct/1100-6
- B 90° bend - Duct/690
- C Wall vent - Duct/6900

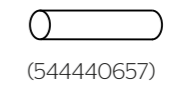
You will also need:

- D Pipe connection - Duct/693 (544440639)
- E 1 metre pipe - Duct/1100-6 (544440657) or 2 metre pipe - Duct/1200-6 (544440640)

Sometimes this is the ideal solution for kitchens with a false ceiling or for use in a bungalow. If being used in a house, check you have enough space. Check the direction of joists. Do not cut holes through joists.

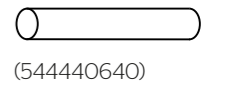


1 metre pipe 150mm diameter Duct/1100-6



(544440657)

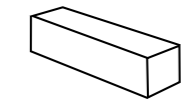
2 metre pipe 150mm diameter Duct/1200-6



(544440640)

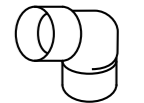
1 metre and two metre pipes can be cut to desired length.

1 metre flat channel Duct/910



(544440644)

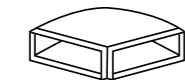
90° bend 150mm diameter Duct/690



(544440650)

To obtain the best possible extraction performance use 150mm diameter ducting. Wherever possible utilise rigid circular pipe or 'Mega Duct' ducting - both types are available via your Britannia dealer. Where possible, do not use expanding concertina type ducting as this is not smooth on the interior and can cause air flow restrictions. Do not use ducting that has a smaller diameter than 150mm as this will reduce extraction rates and can increase noise levels.

Horizontal bend duct/950



(544440685)

Wall vent with gravity flaps duct/6900



(544440663)

Pipe connector duct/693



(544440639)

Flat channel connector duct/920

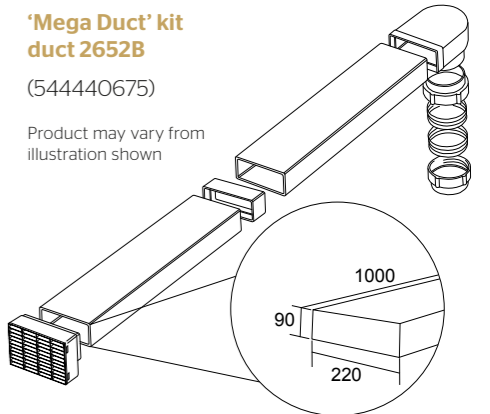


(544440645)

'Mega Duct' kit duct 2652B

(544440675)

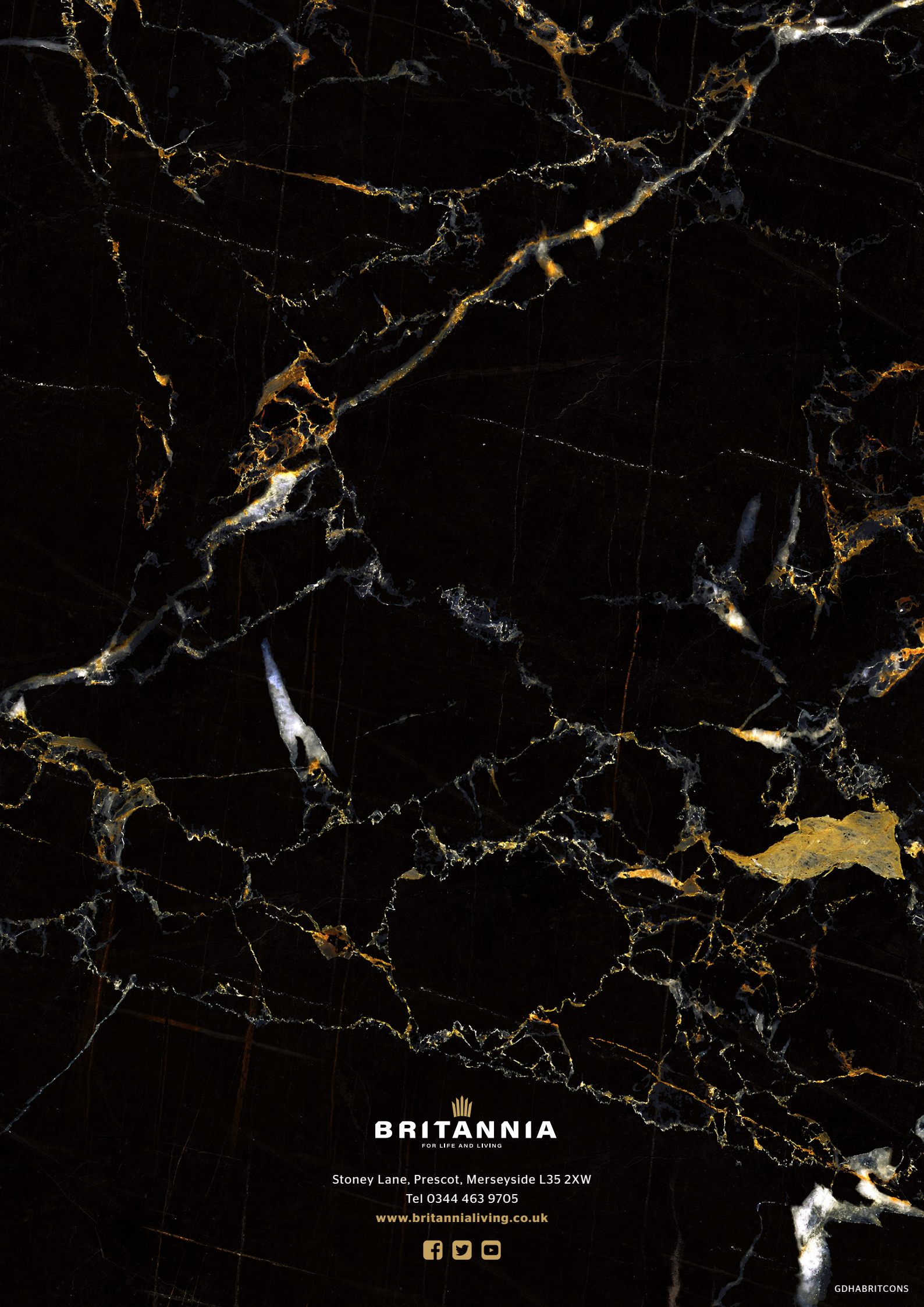
Product may vary from illustration shown



Please note ducting kits and ducting components are optional accessories and have to be ordered - they are not supplied with the hood.



Redefine your standards
in Range Cookers




BRITANNIA
FOR LIFE AND LIVING

Stoney Lane, Prescott, Merseyside L35 2XW

Tel 0344 463 9705

www.britannialiving.co.uk

