

# Latour Canopy hood (Single motor)

2 YEAR  
GUARANTEE



## Features

### Designed for ducting out or recycling

- Quick release dishwasher proof grease filters
- 2 x halogen lamps 20 watts (115cm version has 3)
- A convenient filter alarm that tells you when to clean the grease filters for ultimate efficiency
- Automatic switch-off can be set for 10 minutes

### When recycling you will require

- Recycling filter kit – CT-KIT-C x 2, charcoal filters are supplied with kit
- Replacement charcoal filter – W0423-K4 x 2

### When ducting out you will require

- Ducting outlet size 150mm (diameter)

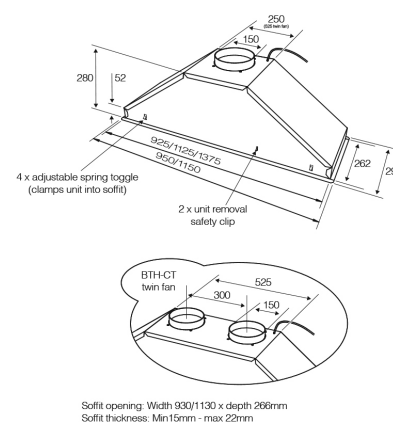
Speed	1	2	3	4
Air capacity cubic metres per hour*	237.5	507.4	771.5	
Noise level - dbA**	44	62	71	
Energy efficiency	A	B	C	D

### Size options

Available in 95cm or 115cm

### Colour options

Stainless steel



\* Performance data according to Standard EN61591. Free air delivery.

\*\* Noise level according to Standard IEC60704-2-13 method. All noise level – dbA figures are tested on ducted hoods.

For further information please ring **0344 463 9705** or visit **www.britannialiving.co.uk**