



SPECIFICATIONS

Total capacity	23 cu.ft.
Capacity fridge	15 cu.ft. (418 litres)
Capacity freezer	8 cu.ft. (253 litres)
Overall height (A)	1805mm
Overall depth (C)	768mm
Cabinet depth excluding doors (G)	636mm
Depth excluding handles (H)	708mm
Depth with door open 90° (D)	1181mm
Overall width (B)	916mm
Clearance freezer door open (E)	350mm
Clearance fridge door open (F)	450mm
Air clearance each side	3mm
Air clearance top	5mm
Air clearance back	25mm
Approx shipping weight	172kg
Energy rating	A
Energy consumption	564 kWh/year
ISO temperature rise time	9.8 hrs
Freezer star rating	4
Freezer capacity (kg/24hrs)	12.0 kg/24hrs
Noise (dba)	50

Fridge contains:

- 3 slide-out spill-proof glass shelves
- Sealed clear crisper and adjustable humidity crisper
- 5 door compartments

Freezer contains:

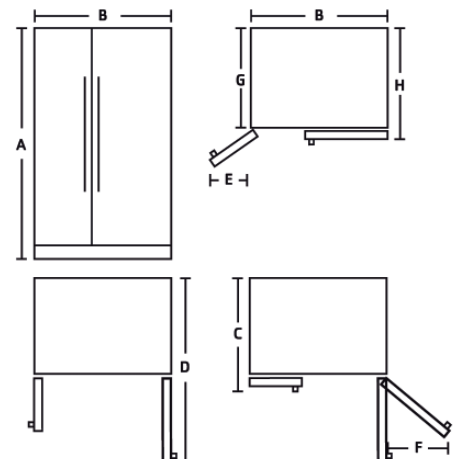
- 3 door compartments
- Deep freezer basket
- 3 slide-out freezer racks

Advanced refrigeration technology

- Electronic ice and water dispenser
- Integrated ice maker
- SweetSpot™ shelf
- Built-in water filter
- Humidity crisper
- Climatekeeper™ air tower
- Frost guard technology

Options

- STAINLESS STEEL**  
 Product Code FF-NEBRASKA-S
- GLOSS BLACK**  
 Product Code FF-NEBRASKA-K
- CREAM**  
 Product Code FF-NEBRASKA-C
- GRAPHITE**  
 Product Code FF-NEBRASKA-G



For further details  
please contact  
0800 073 1003

2 YEAR  
GUARANTEE