

Feast your Senses...

WALL MOUNTED HOODS

2 YEAR
GUARANTEE



Taste is everything

For further details please contact 0800 073 1003
www.britannialiving.co.uk

Arioso



Designed for ducting out or recycling.

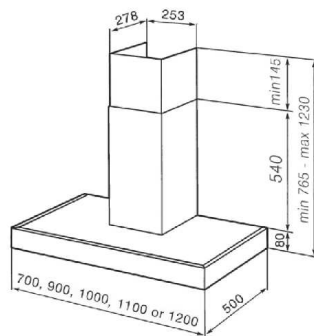
- The intelligent ASC system
- Quick release dishwasher proof grease filter
- A convenient filter alarm that tells you when to clean the grease filters for ultimate efficiency
- 2 x halogen lamps 20 w

When recycling you will require:

- Recycling charcoal filter – CASS x1

When ducting out you will require:

- Ducting outlet size 150mm (diameter)



SPEED	1	2	3	4
Air capacity cubic metres per hour*	300	470	630	750
Pressure mmH ² O	34	41	45	46
Input – watts	125	160	200	250
Noise level – dbA**	40	49	56	59

Options: Available in 70cm, 90cm, 100cm, 110cm, or 120cm

from left to right: Stainless Steel, Gloss Black[†], Cream[†] & Graphite[†]

[†]Not available in 70cm.

Arioso a due



Designed for ducting out or recycling.

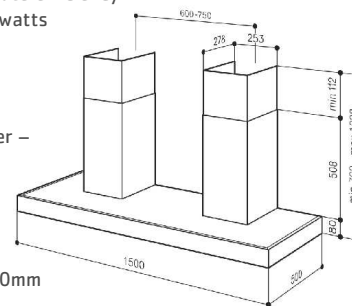
- The intelligent ASC system
- With 2 motors
- Quick release dishwasher proof grease filter
- A convenient filter alarm that tells you when to clean the grease filters for ultimate efficiency
- 4 x halogen lamps 20 watts

When recycling you will require:

- Recycling charcoal filter – CASS x2

When ducting out you will require:

- Ducting outlet size 150mm (diameter) x 2



SPEED	1	2	3	4
Air capacity cubic metres per hour*	300 ^{x2}	470 ^{x2}	630 ^{x2}	750 ^{x2}
Pressure mmH ² O	34 ^{x2}	41 ^{x2}	45 ^{x2}	46 ^{x2}
Input – watts	125 ^{x2}	160 ^{x2}	200 ^{x2}	250 ^{x2}
Noise level – dbA**	40 ^{x2}	49 ^{x2}	56 ^{x2}	59 ^{x2}

Options: Available in 150cm

Stainless Steel

Spiritoso



Designed for ducting out or recycling.

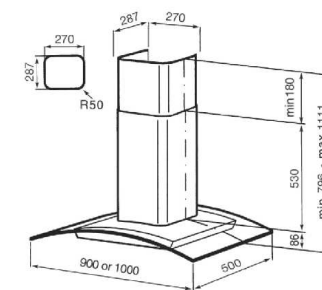
- The intelligent ASC system
- Quick release dishwasher proof grease filter
- A convenient filter alarm that tells you when to clean the grease filters for ultimate efficiency
- 2 x halogen lamps 20 watts

When recycling you will require:

- Recycling charcoal filter – CASS x1

When ducting out you will require:

- Ducting outlet size 150mm (diameter)



SPEED	1	2	3	4
Air capacity cubic metres per hour*	300	470	630	750
Pressure mmH ² O	34	41	45	46
Input – watts	125	160	200	250
Noise level – dbA**	40	49	56	59

Options: Available in 90cm or 100cm

from left to right: Stainless Steel, Gloss Black & Cream

All noise level – dbA figures are tested on ducted hoods.

ance data according to Standard EN61591. Free air delivery. **Noise level according to Standard IEC60704-2-13 method.