

WALL MOUNTED HOODS

2 YEAR
GUARANTEE



Taste is everything

For further details please contact 0800 073 1003
www.britannialiving.co.uk

Tranquillo



Designed for ducting out or recycling.

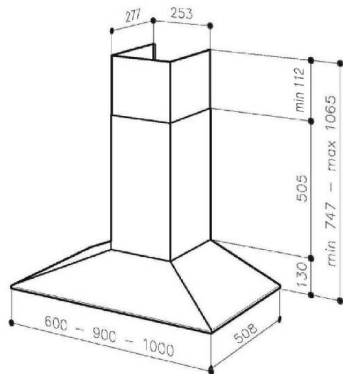
- Quick release dishwasher proof grease filters
- Suitable for use with a back panel
- Electronic controls
- 2 x halogen lamps 20 watts

When recycling you will require:

- Recycling charcoal filter – Cass 1

When ducting out you will require:

- Ducting outlet size 150mm (diameter)



SPEED	1	2	3	4
Air capacity cubic metres per hour*	300	470	610	750
Pressure mmH ² O	34	41	45	46
Input – watts	125	160	200	250
Noise level – dbA**	40	49	56	59

Options: Available in 60cm, 90cm or 100cm

from left to right:
Stainless Steel, Graphite[†] & Cream[†]

[†]Not available in 60cm.

Brioso



Designed for ducting out or recycling.

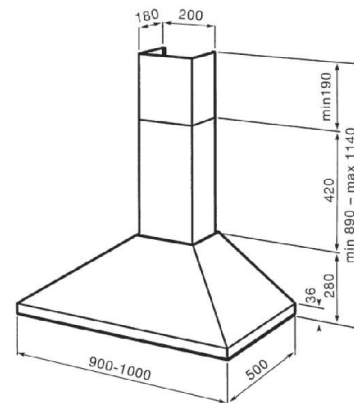
- Quick release dishwasher proof grease filters
- Suitable for use with back panel
- 2 x 40 watts lights

When recycling you will require:

- Recycling charcoal filters – 190 x 2

When ducting out you will require:

- Ducting outlet size 150mm (diameter)



SPEED	1	2	3
Air capacity cubic metres per hour*	500	650	800
Pressure mmH ² O	41	44	46
Input – watts	160	200	250
Noise level – dbA**	48	54	58

Options: Available in 90cm or 100cm

from left to right:
Stainless Steel & Gloss Black