

Feast your Senses...

L LINE 100cm

DUAL FUEL/ALL ELECTRIC TWIN RANGE COOKER

2 YEAR
GUARANTEE



Taste is everything

For further details please contact 0800 073 1003
www.britannialiving.co.uk



Product code SI-10T6-L-G

Cooking features

- QUICKSTART fast pre-heat system
- 9 function and 4 function electric ovens
- Rotisserie for spit-roasting
- Grill elements in both ovens
- Fully automatic programmer and minute minder (left oven)

Energy rating

Oven is A rated

Safety features

- Thermostatically controlled fan to prevent fascia from overheating
- Oven light for good visibility
- Triple-glazed doors to prevent doors from overheating
- Flame failure devices to shut-off gas supply (gas hob only)

Cleaning features

- Stay-clean liners for oven roofs
- Removable oven door and inner glass panel
- Separate spillage wells to contain spills

Other features

- Storage compartment
- Height adjustable legs
- Supplied with**
- Left Oven
- Two wire shelves, one grill pan with trivet and detachable handle
- Right Oven
- One wire shelf, one grill pan with trivet, rotisserie

Dimensions

- Cooker
- (W) 1000mm x (H) 860-910mm x (D) 600mm
- Left oven internal
- (W) 396mm x (H) 330mm x (D) 405mm (53.4 litres)
- Right oven internal
- (W) 315mm x (H) 330mm x (D) 430mm (43.7 litres)
- (Extra deep oven fits roasting tin for turkey)



Gas Hotplate – six burners

- One triple ring wok burner: 4.3kW
- Three large burners: 2.6kW each
- Two small burners: 1.7kW each
- Convertible to LPG (Bottled gas) if required.

Dedicated cooker circuit fused at 30 amp or a 32 amp circuit breaker

Product codes

- L Line Stainless Steel SI-10T6-L-S
- L Line Graphite SI-10T6-L-G



Gas Hotplate – four burners and Chef Top

- One triple ring wok burner: 4.3kW
- One small burner: 1.7kW
- Two large burners: 2.6kW each
- Chef Top: 3.1kW

Extra pan supports are included to convert the Chef Top into a central fish burner

Convertible to LPG (Bottled gas) if required

Dedicated cooker circuit fused at 30 amp or a 32 amp circuit breaker

Product codes

- L Line Stainless Steel SI-10TC-L-S
- L Line Graphite SI-10TC-L-G



Ceramic hotplate – five zones

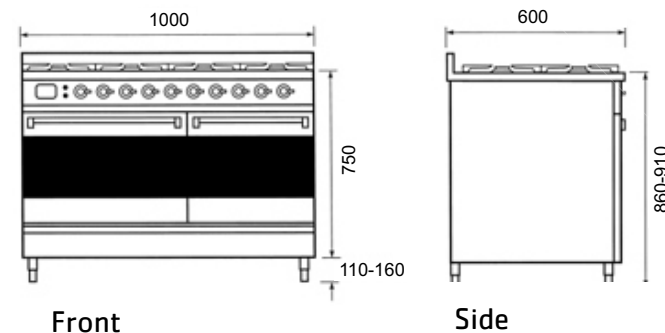
- Front left zone: 1800 Watts
- Front middle dual zone: 750/2200 Watts
- Front right zone: 1200 Watts
- Back left dual zone: 1600/2400 Watts
- Back middle zone: 1200 Watts
- Back right dual zone: 750/2200 Watts

Dedicated cooker circuit fused at 40/45 amp

Product codes

- L Line Stainless Steel SI-E10T-L-S
- L Line Graphite SI-E10T-L-G

Cooker dimensions



Optional Accessories

- Steak griddles for hotplate option one**
- Ribbed griddle AC/GRID/A00604
- Flat griddle AC/GRID/A00606

- Telescopic oven sliding trays**
- 60cm oven AC/KGS60
- 30cm oven AC/KGS30

- Stay clean liners**
- 60cm SLC60
- 30cm SLC30

Colour Options

L LINE is available in the following colours:



from left to right
Stainless Steel & Graphite