

Feast your Senses...

SIGMA 90cm

SINGLE BUILT-IN/BUILT UNDER OVEN

2 YEAR
GUARANTEE

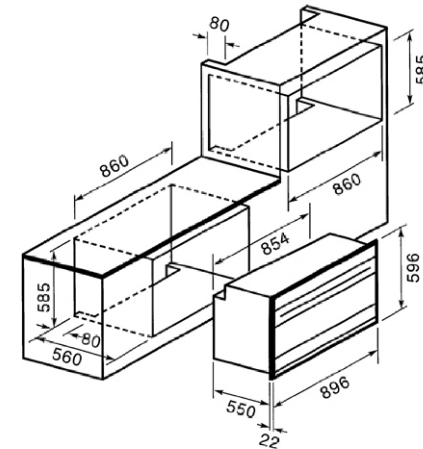


Taste is everything

For further details please contact 0800 073 1003
www.britannialive.com



Oven Dimensions



Product code OV-900LMP-SS

Cooking features

- QUICKSTART fast pre-heat system
- 9 function electric oven
- Rotisserie for spit-roasting
- Grill element in oven
- Fully automatic programmer and minute minder

Energy rating

Oven is A rated

Safety features

- Thermostatically controlled fan to prevent fascia from overheating
- Oven light for good visibility
- Triple-glazed door to prevent doors from overheating

Cleaning features

Removable oven door and inner glass panel

Supplied with

Two wire shelves, one grill pan with trivet and detachable handle, rotisserie

Dimensions

- Oven (W) 896mm x (H) 596mm
(Protrudes into cabinet 550mm)
- Internal (W) 593mm x (H) 330mm x (D) 405mm
(78.6 litres)

Optional Accessories

Telescopic oven sliding trays

90cm oven KGS/90

Stay clean liners

90cm oven SCL/90