

Feast your Senses...

# SIGMA 60cm BUILT-IN OVEN

2 YEAR  
GUARANTEE



Product code OV-201LMP-55

britannia

Taste is everything

For further details please contact 0800 073 1003  
www.britannialive.co.uk

## Cooking features

- QUICKSTART fast pre-heat system (both ovens)
- 9 function electric oven (both ovens)
- Grill element in both ovens
- Fully automatic programmer and minute minder (bottom oven)

## Energy rating

- Both ovens are A rated

## Safety features

- Thermostatically controlled fan to prevent fascia from overheating
- Oven lights for good visibility
- Triple-glazed doors to prevent doors from overheating

## Cleaning features

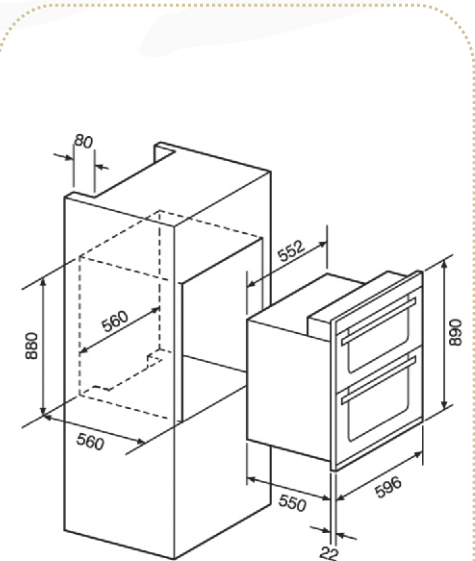
- Removable oven door and inner glass panel
- Stay clean liner for oven roof (top oven)

## Supplied with

- Top oven One wire shelf, one grill pan with trivet
- Bottom oven Two wire shelves, one grill pan with trivet and detachable handle

## Dimensions

- Oven (W) 596mm x (H) 890mm (Protrudes into cabinet 550mm)
- Top oven internal (W) 396mm x (H) 208mm x (D) 405mm 32 litres
- Bottom oven internal (W) 396mm x (H) 330mm x (D) 405mm 53.4 litres



## Oven Dimensions

(W)596mm x (D)890mm  
(protrudes into cabinet 550mm)

## Optional Accessories

**Telescopic oven sliding trays**  
60cm oven KGS/60

**Stay clean liners**  
60cm oven SCL/60